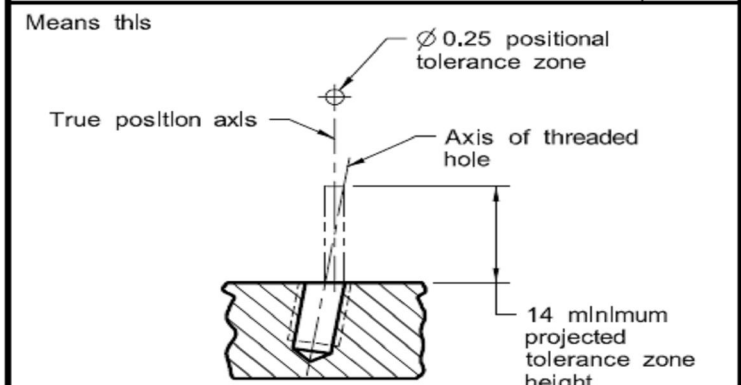
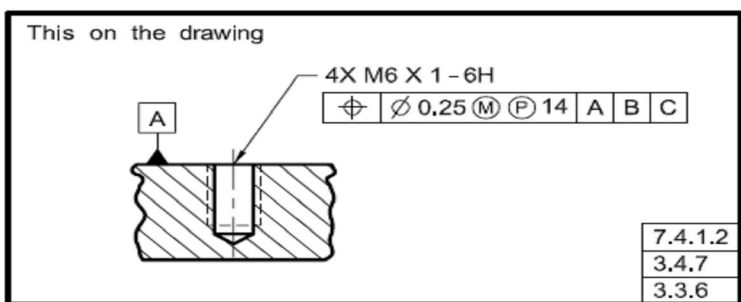
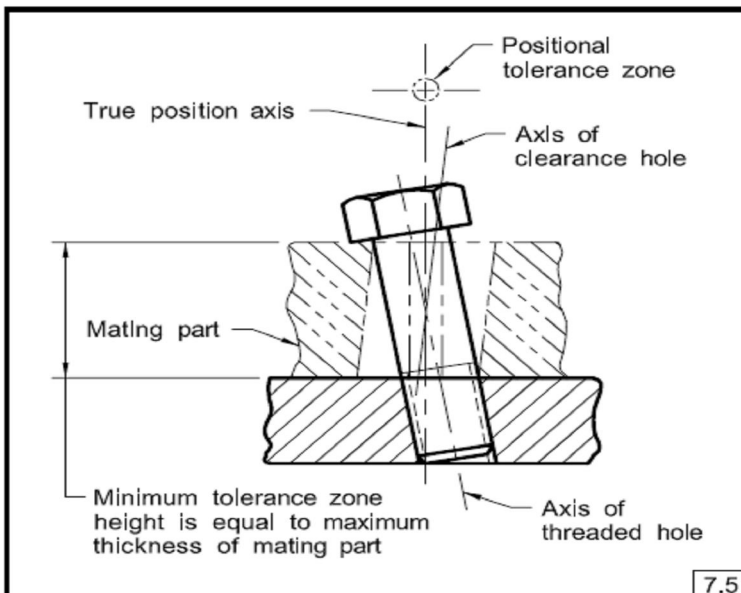


ACCURATE CENTRE OF EXCELLENCE

Projected Tolerance Zone:

The application of this concept is recommended where the variation in perpendicularity of threaded or press-fit holes could cause fasteners, such as screws, studs, or pins, to interfere with mating parts.



A division for Training and Testing

Accurate not only in market of precisions measuring instruments (Multi-Gauging & 3D-CMM) but to support your organization as partner of all Quality challenges through providing global training programs and establishing worldwide measurement correlations of any prismatic or free formed critical part inspection

Our Valued Services

Training Programs

- International Aukom Germany CMM Certification Courses Level 1, 2 & 3
- Dimensional Metrology & 3D Coordinate Measuring Machine (CMM)
- Geometric Dimensioning & Tolerance (GD&T) Level 1&2
- Measurement Techniques of GD&T parameters.
- Surface Roughness
- Calibration & Measurement Uncertainty
- Statistical Tolerance Stack Up Analysis
- Problem Solving Technics.
- SPC and MSA

ACCURATE SALES & SERVICES PVT. LTD.

Gauge House, 67, H.I.E. Hadapsar,
Pune – 411013

Ph: 020 66039258
9970001686
9970002515

Email: sales@accuratesales.co.in
cmmapplication@accurategauging.com

Web: www.accurategauging.com
www.aukom.info